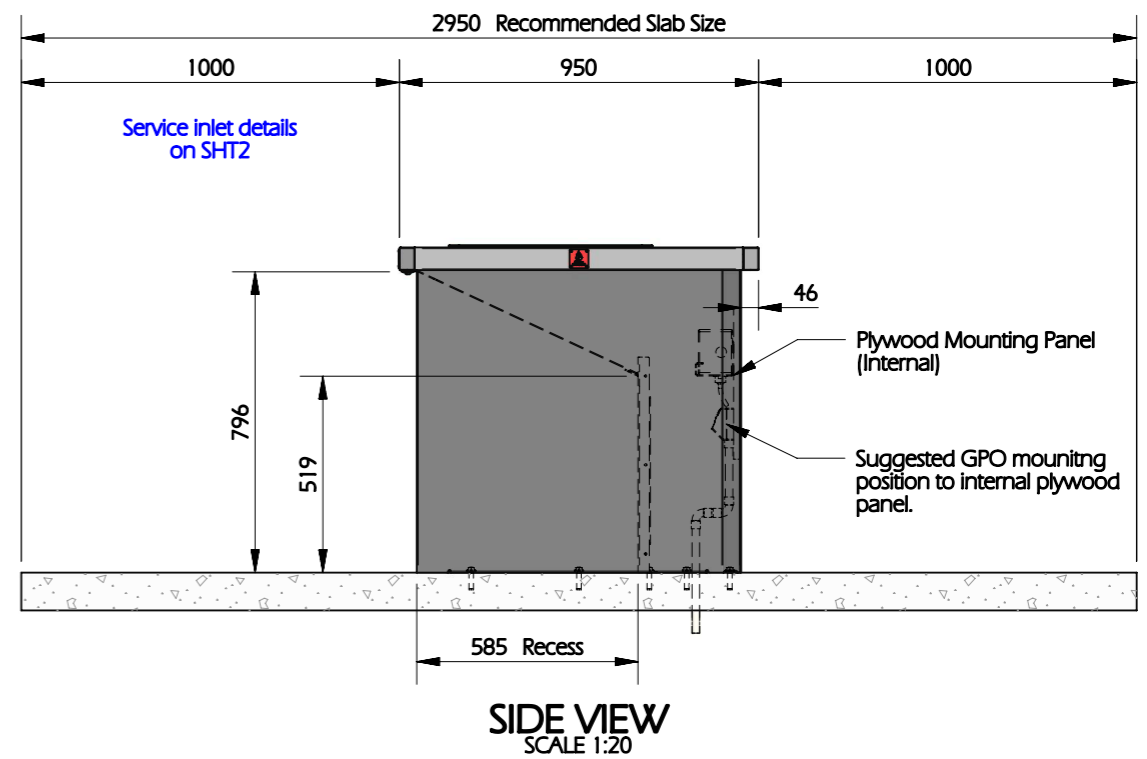
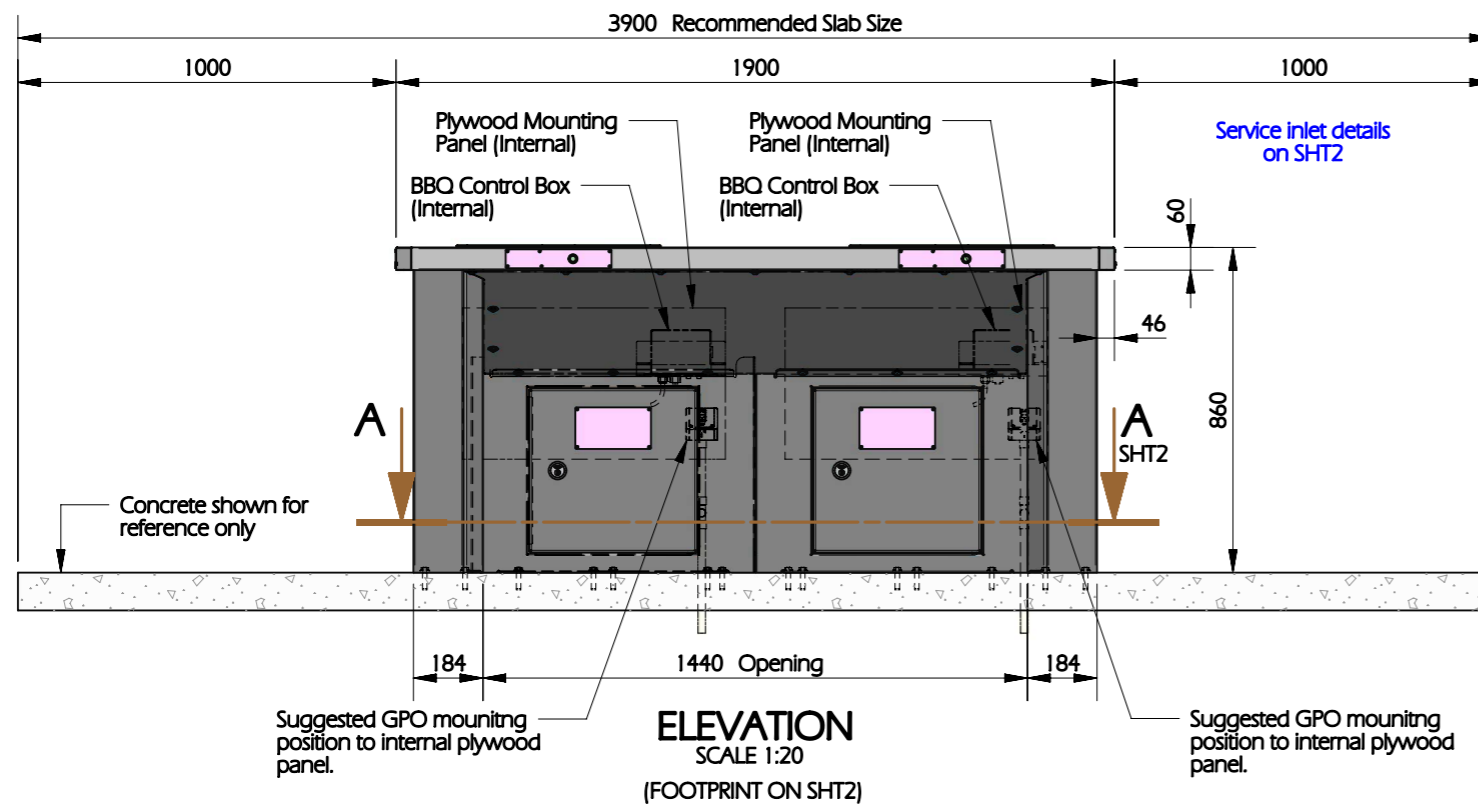
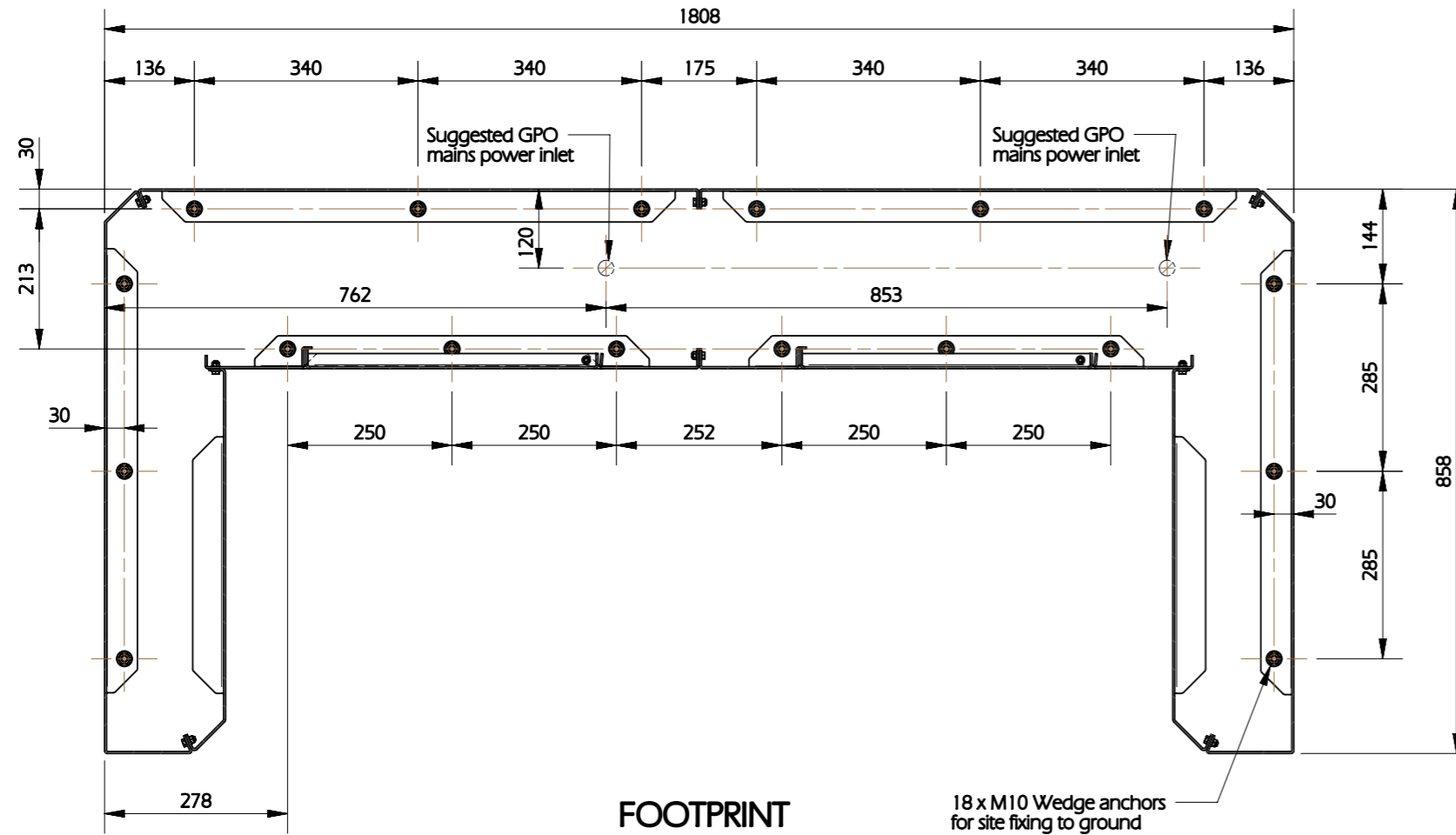


TOP VIEW
SCALE 1:20



PICTORIAL VIEW





FOOTPRINT
SECTION A-A
SCALE 1:10

18 x M10 Wedge anchors
for site fixing to ground