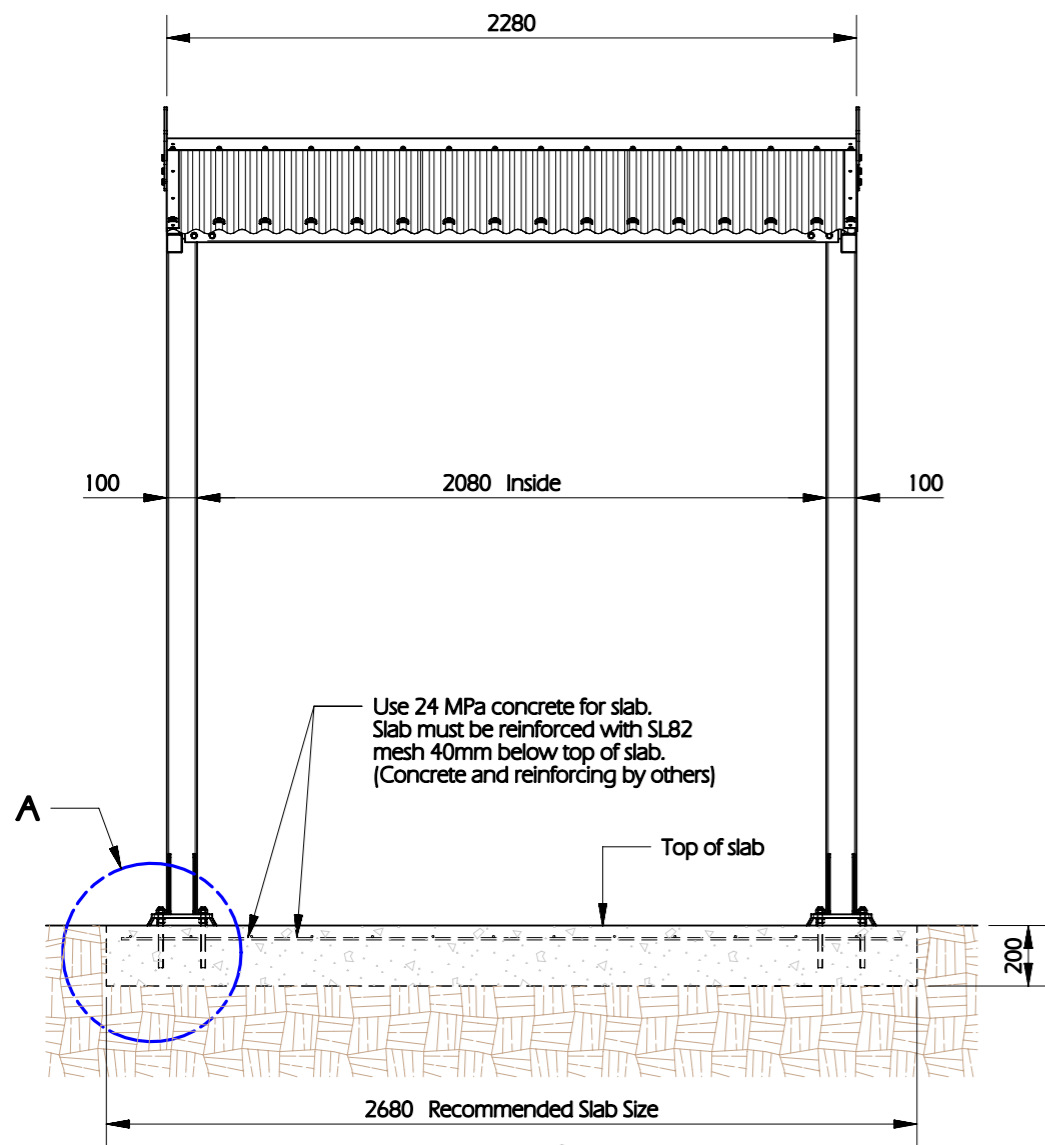


Note:
Slab requires a moisture barrier.
Line all footings with 200um
Polyethylene (Vinyl) sheet.

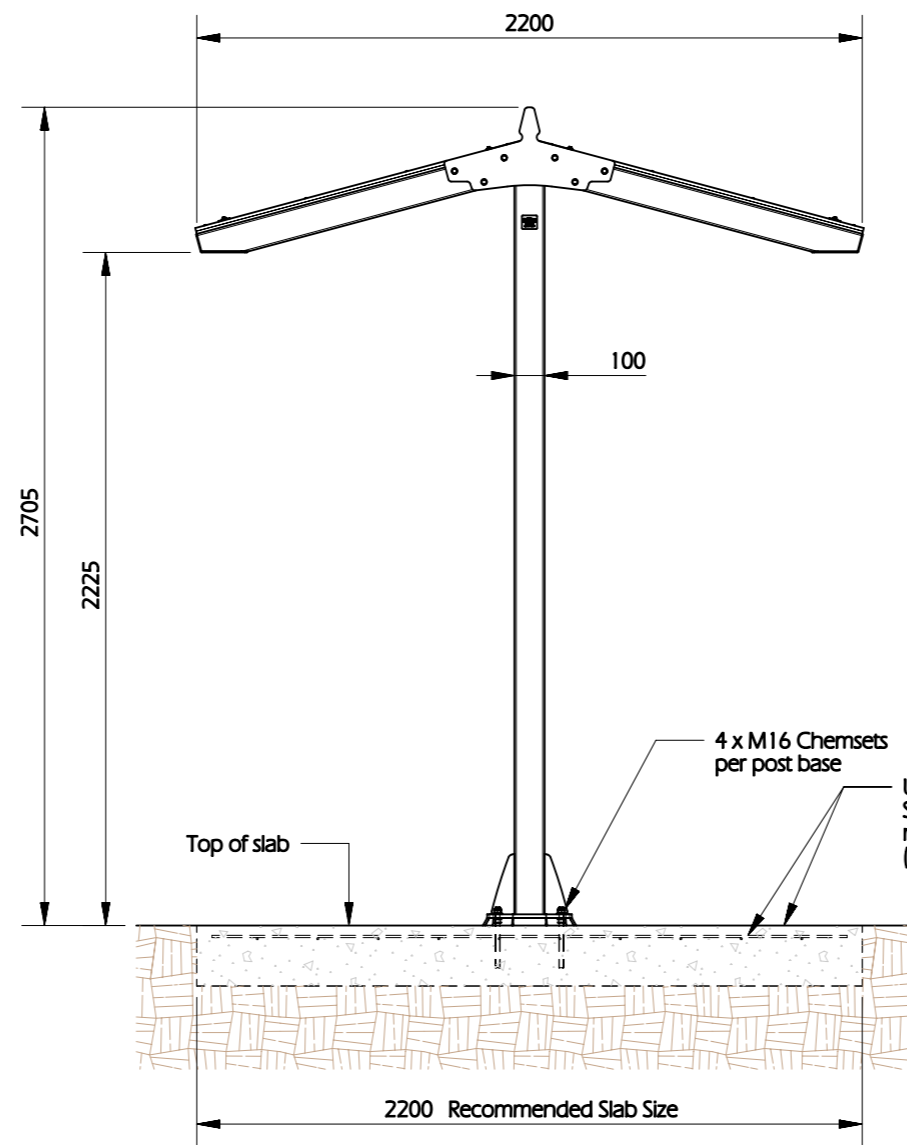
DETAIL A
SCALE 1:10



PICTORIAL VIEW



ELEVATION
SCALE 1:25



SIDE VIEW
SCALE 1:25

GENERAL NOTES:

1. Slab & reinforcing designs for soil Class "P"
2. Slab & trench footings to be lined with 200um Polyethylene (Vinyl) sheet (by others)